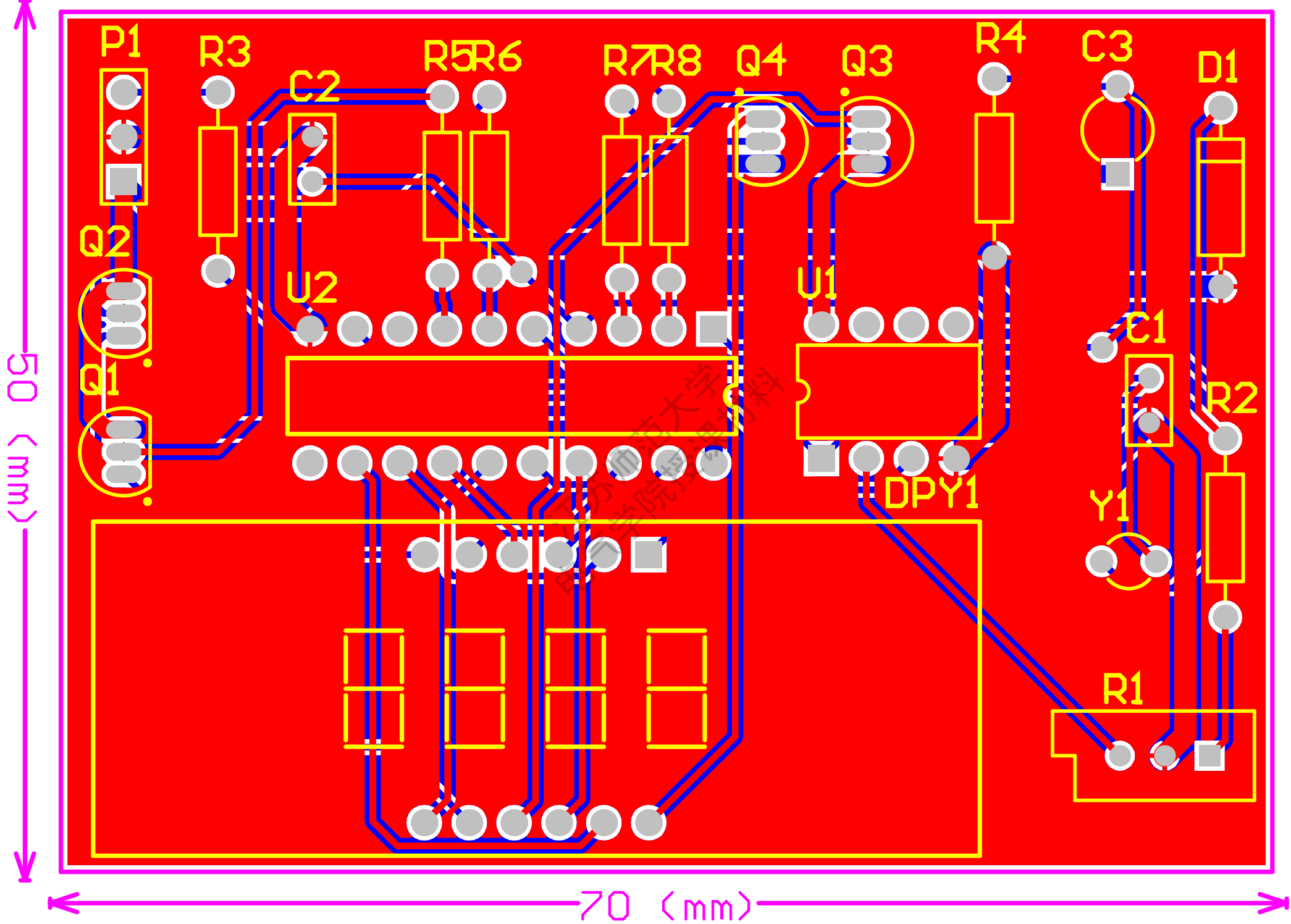
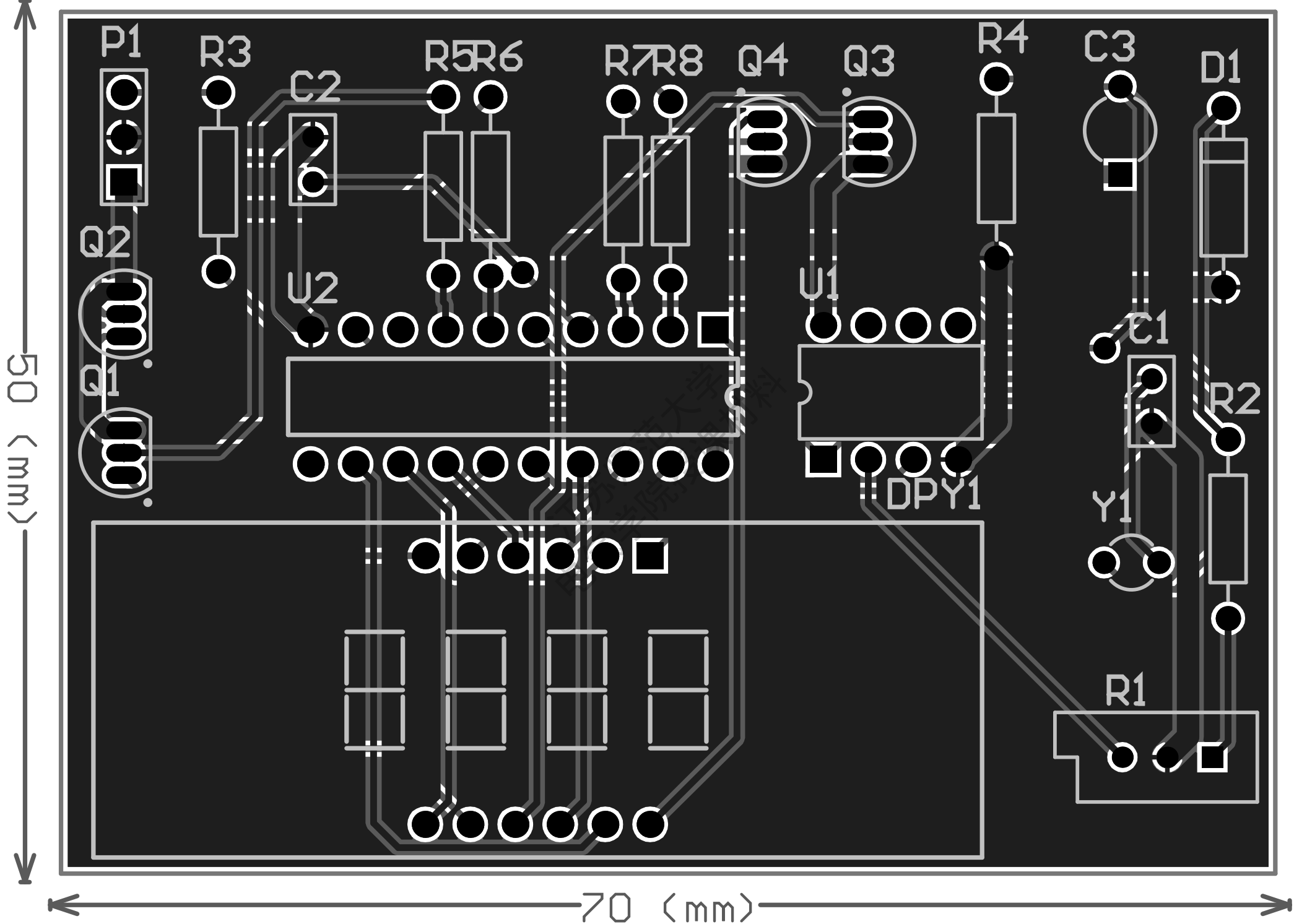
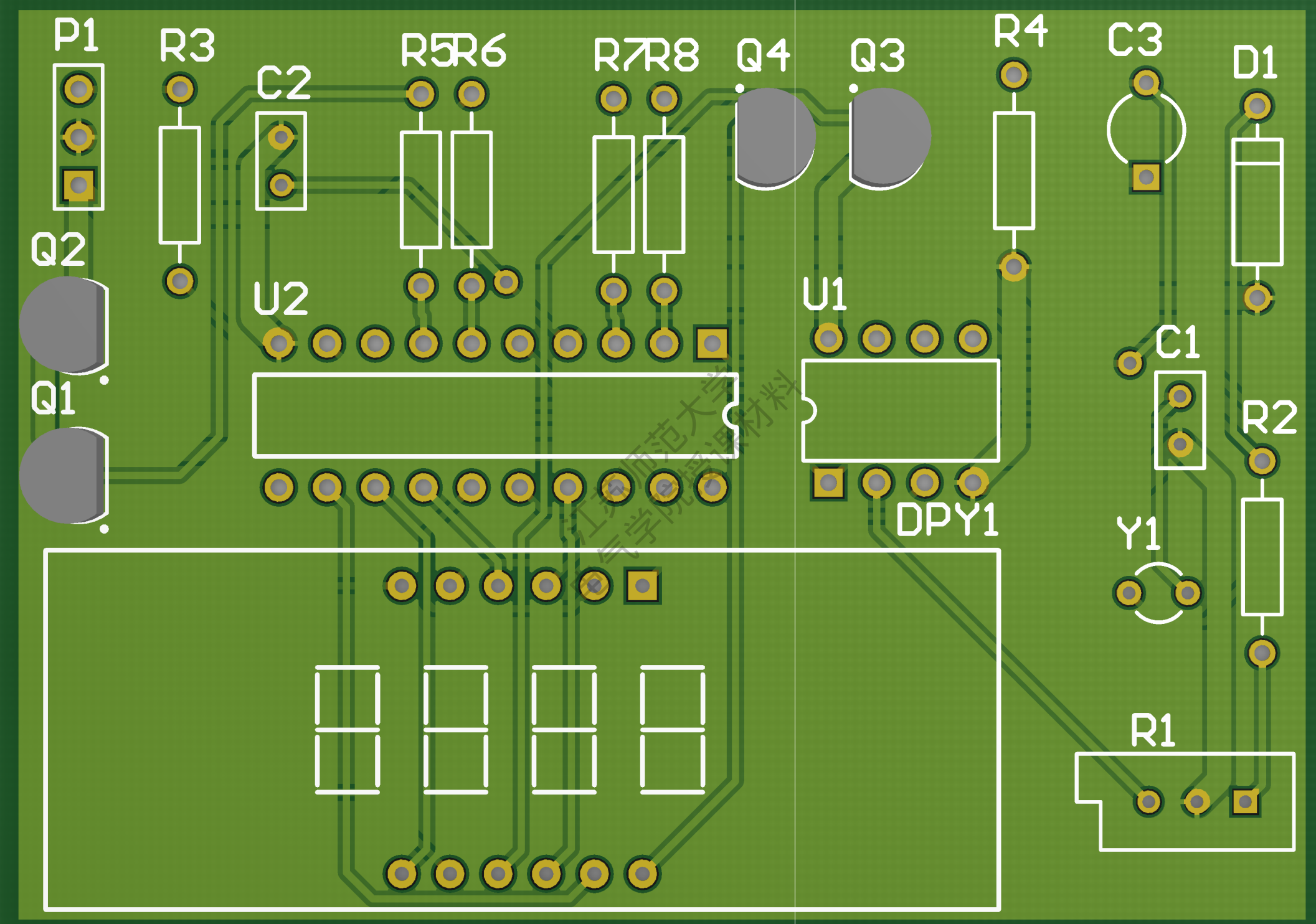
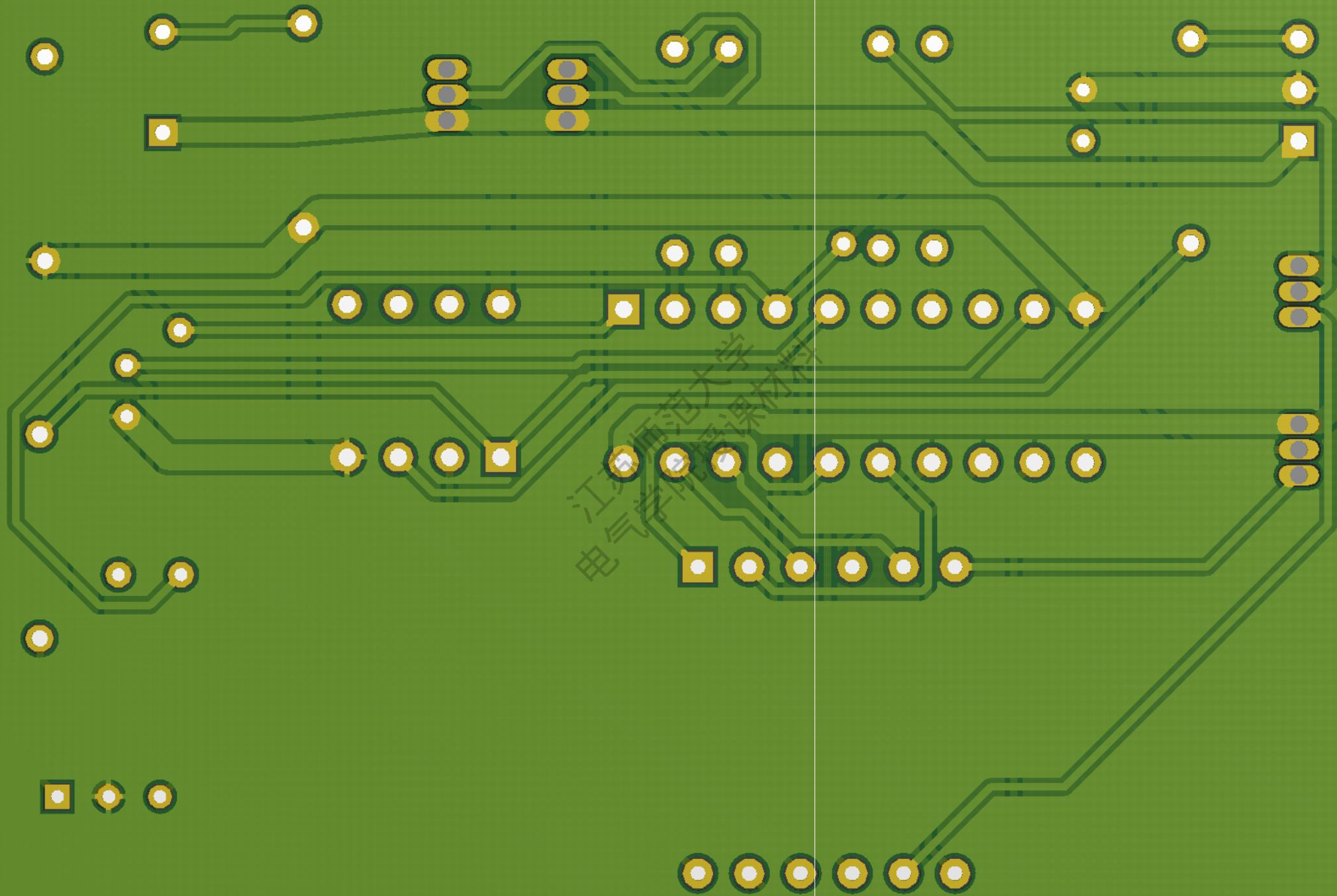


Title		
Size	Number	Revision
A4		
Date:	2021/12/9	Sheet of
File:	E:\课程\频率计.SchDoc	Drawn By:









Bill of Materials

<Parameter Title not found>

Source Data From: 频率计.PrjPCB
Project: 频率计.PrjPCB
Variant: None

Creation Date: 2021/12/9 21:33:55
Print Date: 44539 44539.89864

Footprint	Comment	LibRef	Designator	Description	Quantity
RAD-0.1	30pF	Cap	C1, C2	Capacitor	2
CAPR5-4X5	10uF	Cap2	C3	Capacitor	1
DIODE-0.4	1N4730	D Zener	D1	Zener Diode	1
DPY_8_4	DPY_8_4	DPY_8_4	DPY1		1
HDR1X3	Header 3	Header 3	P1	Header, 3-Pin	1
TO-92A	9012	PNP	Q1, Q2, Q3, Q4	PNP Bipolar Transistor	4
VR5	10k	Res Tap	R1	Tapped Resistor	1
AXIAL-0.4	10k	Res2	R2, R4	Resistor	2
AXIAL-0.4	5.1k	Res2	R3	Resistor	1
AXIAL-0.4	4.7k	Res2	R5, R6, R7, R8	Resistor	4
626-05	LM393AN	LM393AN	U1	Dual Comparator	1
DIP20	AT89C2051	AT89C2051	U2		1
R38	12MHz	XTAL	Y1	Crystal Oscillator	1

21

Approved Notes

--	--	--